

COMPACT DISC PLAYER

# DP-1080/2080

## SERVICE MANUAL

# KENWOOD

© 1996-6/B51-5199-00 (K/K) 2551

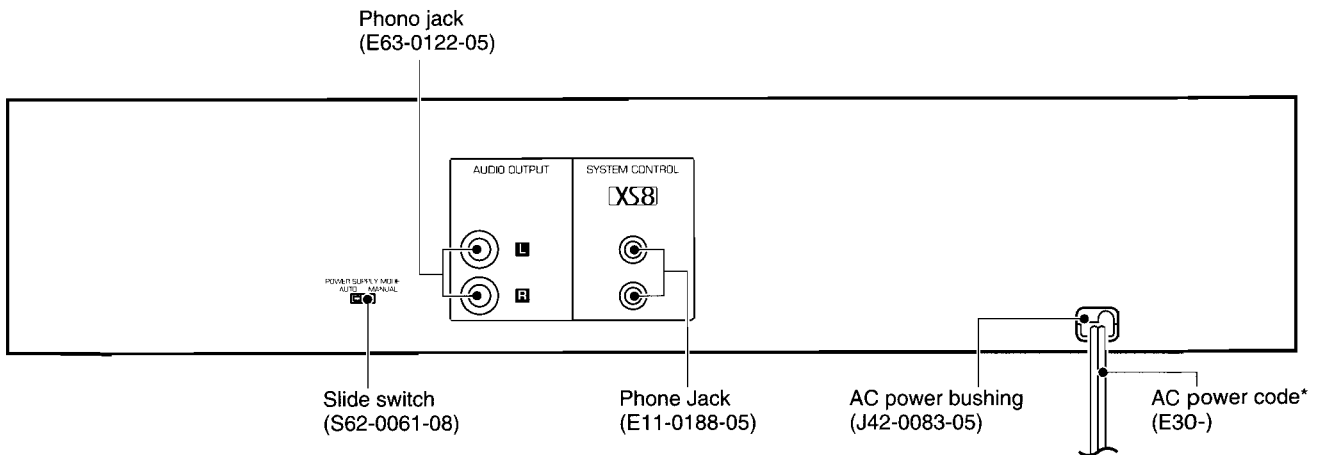
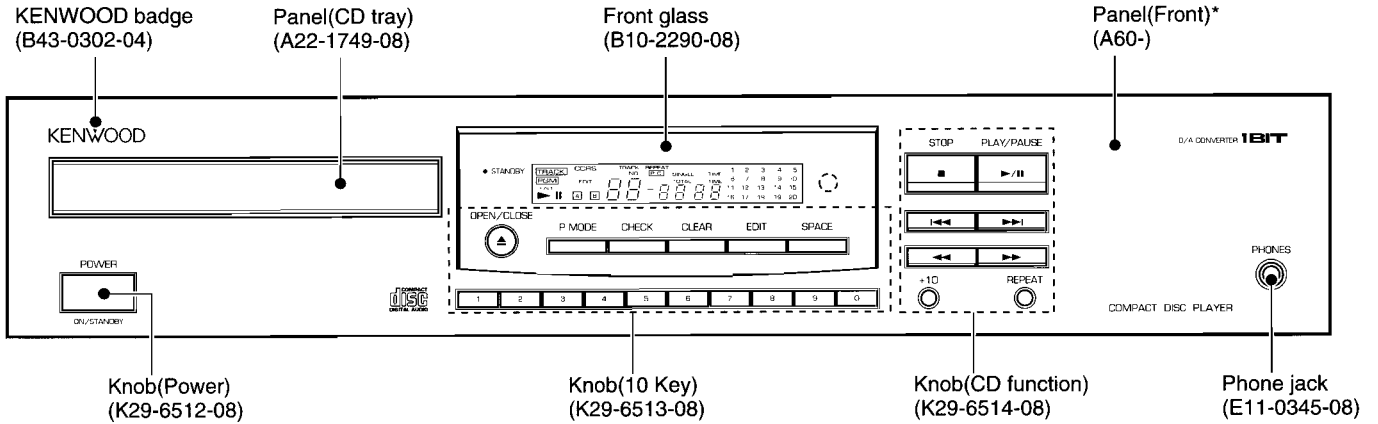


Illustration is DP-2080.

\* Refer to parts list on page 19.



In compliance with Federal Regulations, following are reproductions of labels on, or inside the product relating to laser product safety.

KENWOOD-Corp. certifies this equipment conforms to DHHS Regulations No. 21 CFR 1040. 10, Chapter 1, Subchapter J.

**DANGER : Laser radiation when open and interlock defeated. AVOID DIRECT EXPOSURE TO BEAM.**

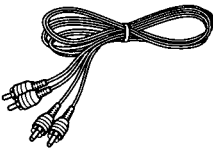
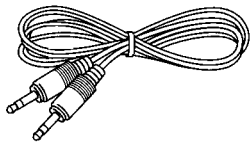
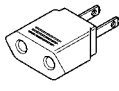
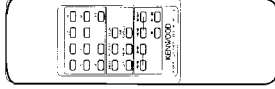
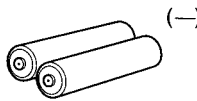
# DP-1080/2080

## CONTENTS / ACCESSORIES / CAUTIONS

### Contents

CONTENTS / ACCESSORIES / CAUTIONS.....	2	PC BOARD .....	10
DISASSEMBLY FOR REPAIR.....	3	SCHEMATIC DIAGRAM .....	13
BLOCK DIAGRAM .....	5	EXPLODED VIEW .....	17
CIRCUIT DESCRIPTION .....	6	PARTS LIST.....	19
ADJUSTMENT .....	9	SPECIFICATIONS .....	Back cover

### Accessories

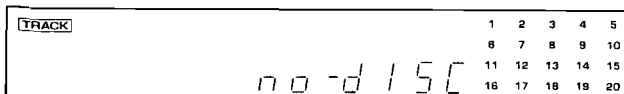
<p>Audio cord.....(2) (E30-0505-05)</p> 	<p>System control cord.....(1) (E30-2733-05)</p> 	<p>AC plug adaptor.....(1) (E03-0115-08)</p> 
<p>Remote control unit.....(1) (A70-1108-08 :DP-2080 only)</p> 	<p>Batteries.....(2)</p> 	
<p>Battery cover (A09-0377-08)</p>		

### Cautions

#### Note related to transportation and movement

Before transporting or moving this unit, carry out the following operations.

1. Turn the power ON but do not load a disc.
2. Wait a few seconds and verify that the display shown appears.  
Wait further a few seconds.
3. Turn the power OFF.



#### Beware of condensation

When water vapor comes into contact with the surface of cold material, water drops are produced. If condensation occurs, correct operation may not be possible, or the unit may not function correctly. This is not a malfunction, however, and the unit should be dried. (To do this, turn the POWER switch ON and leave the unit for several hours.)

#### Be especially careful in the following conditions:

- When the unit is brought from a cold place to a warm place, and there is a large temperature difference.
- When a heater starts operating.
- When the unit is brought from an air-conditioned place to a place of high temperature with high humidity.
- When there is a large difference between the internal temperature of the unit and the ambient temperature, or in conditions where condensation occurs easily.

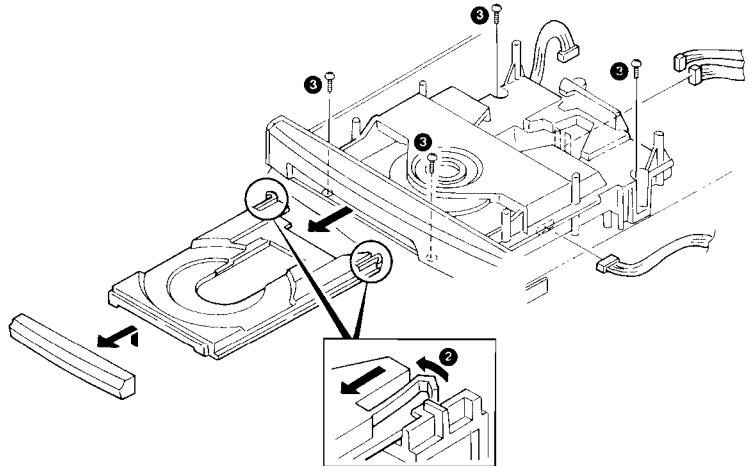
# DP-1080/2080

## DISASSEMBLY FOR REPAIR

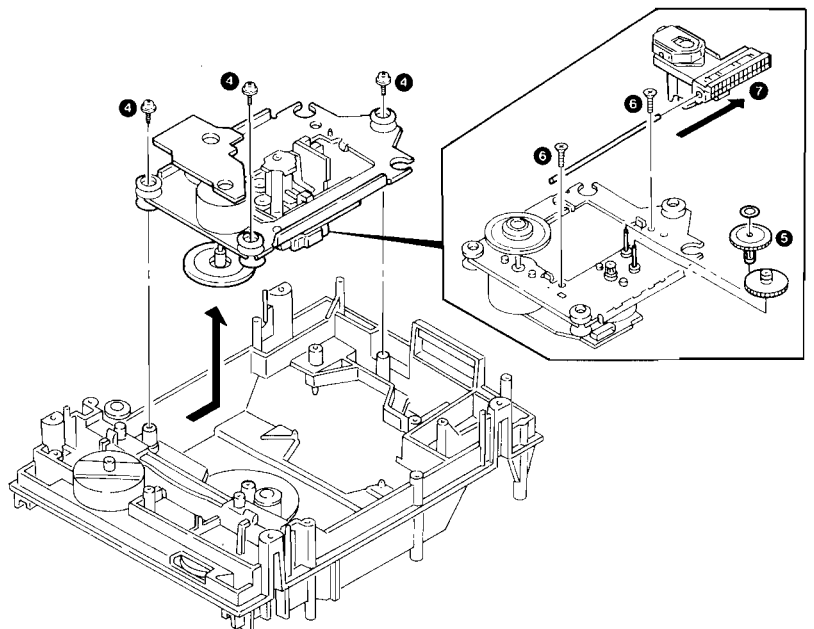
### CD mechanism section

#### 1. How to remove pick-up

- \* Remove the metallic cabinet before disassembling.
- 1. Press the OPEN/CLOSE key, then open the tray and remove the tray panel.
- 2. Remove the tray stopper (2) from the mechanism, then remove the tray.
- 3. Remove the 4 screws (3), then remove the CD mechanism.



- 4. Remove the 3 screws (4), then remove the pick-up ass'y.
- 5. Remove the two gears (5), then remove the 2 screws (6).
- 6. Remove the pick-up (7) from the rod.

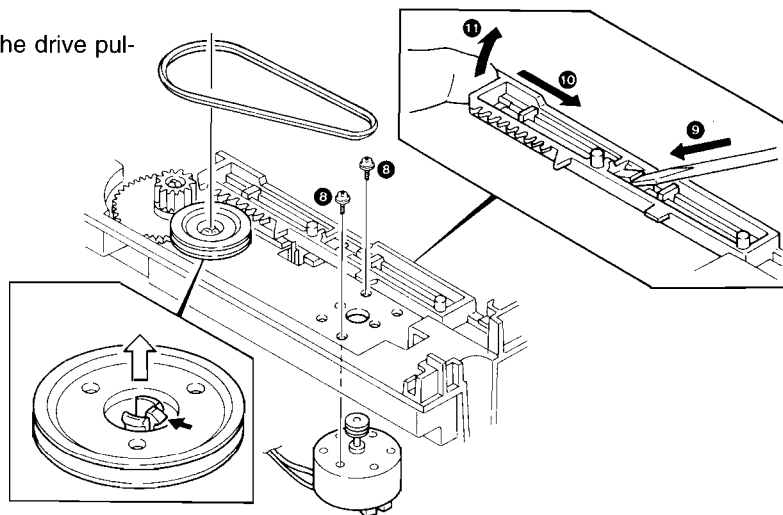


# DP-1080/2080

## DISASSEMBLY FOR REPAIR

### 2. How to remove loading motor and gear.

1. Remove the drive belt, then remove the 2 screws (⑨), and remove the loading motor.
2. While pulling the hooker (⑧) of the rack gear by the screw driver push the rack gear fully rightwards (⑩), then remove the rack gear (⑪).
3. Push the hooker of the drive pulley, then remove the drive pulley and tray gear.

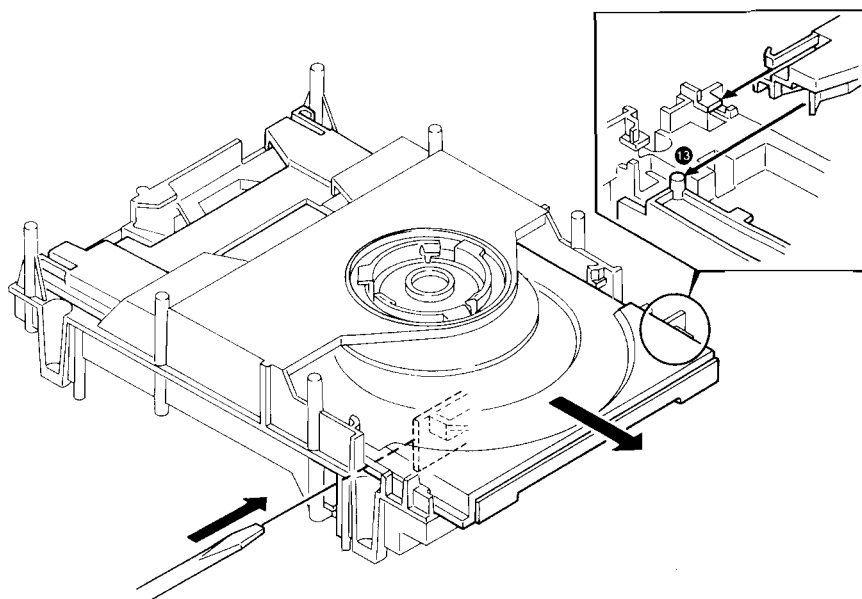


### 3. How to mount tray

1. Set the tray-back-groove to the boss of rack gear (13).

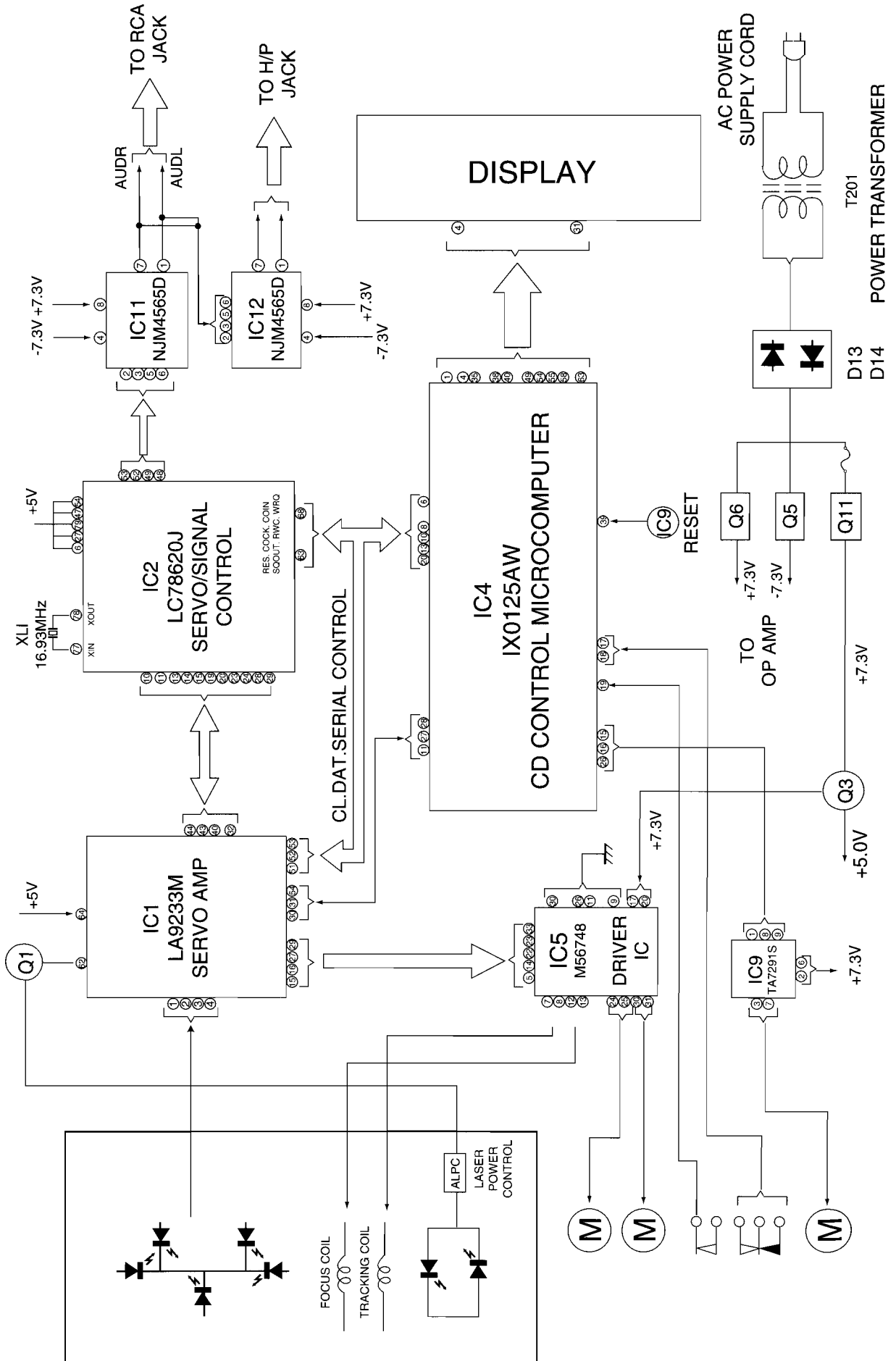
### 4. How to open tray when tray not come out.

1. Insert the screw driver to left side hole of mechanism ass'y.
2. While pushing the rack gear fully right wards, then the tray pull.



# DP-1080/2080

## BLOCK DIAGRAM



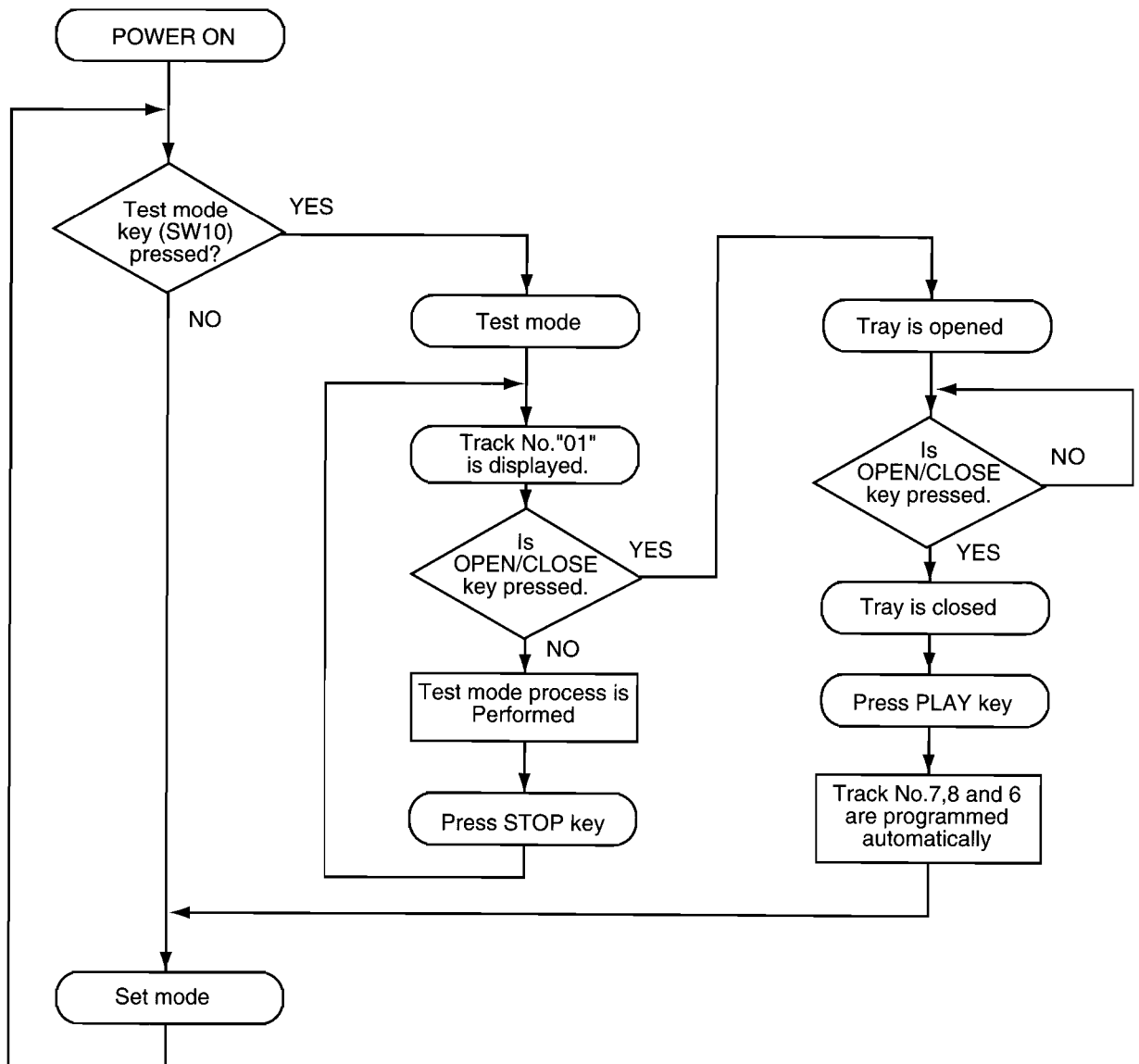
# DP-1080/2080

## CIRCUIT DESCRIPTION

### 1. Test mode

#### 1-1. Setting the test mode

The microprocessor built in the unit can be put to TEST MODE by just pressing the TEST MODE switch (SW10, on PCB) when set to power on.



# DP-1080/2080

## CIRCUIT DESCRIPTION

### 2. Microprocessor : IX0125(IC4)

#### 2-1. Pin function

No.	Pin name	I/O	Function
1~4	g, f, b, a	O	Fluorescent indicator segment.
5	16/8 bit	—	+5V
6	CQCK	O	DSP IC CQCK terminal.
7	COIN	O	DSP IC COIN terminal.
8	SQ OUT	I	DSP IC SQ OUT terminal.
9	RMC	—	GND
10	WRQ	I	DSP IC WRQ terminal.
11	DRF	I	LA9233M DRF terminal.
12	PWP CK	I	Power supply mode state check signal.
13	RWC	O	DSP IC RWC terminal.
14	MUT	—	No connected.
15	LOADING CLOSE	O	Tray close signal output.
16	LOADING OPEN	O	Tray open signal output.
17	OPEN SW	I	Tray open detection signal input.
18	CLOSE SW	I	Tray close detection signal input.
19	PU-IN SW	I	Pick up limit signal input.
20	RES	O	DSP IC reset signal output.
21	BUSY	I/O	System control signal (BUSY).
22	SDATA	I/O	System control signal (DATA).
23	HS	O	High speed control.
24	PWR ON/OFF	—	No connected.
25	LASER ON/OFF	O	Laser ON/OFF control signal output.
26	TRY L/H	I	Feed motor ON/OFF signal input.
27	SLD +	O	Feed motor control signal output.
28	SLD-	O	Feed motor control signal output.
29	PPO	—	No connected.
30	X1	I	Oscillator signal input.
31	X2	O	Oscillator signal output.
32	Vss	—	GND
33	XT1	—	GND
34	XT2	—	No connected.
35~38	P50~P53	I	Key input signal.
39	RESET	I	Reset signal input.
40~49	G10~G1	O	Fluorescent indicator tube grid signal output.
50~53		—	No connected.
54, 55	k, j	O	Fluorescent indicator segment.
56	Vload	—	FL pull down resistor power supply (-30V).
57	Vpre	—	FL driver circuit power supply (-6V).
58~63	i, l, h, d, e, c	O	Fluorescent indicator segment.
64	Vdd	—	Power supply (+5V).

# DP-1080/2080

## CIRCUIT DESCRIPTION

### 2-2. Key and functions valid in test mode

No.	Input key	Function	Track No. display																																				
1	PLAY	(1) Focusing servo .....ON (2) Tracking servo .....ON (3) Feed servo .....ON	TRACK NO. 05 ↓ Displayed for a few seconds after completion (1). (2) and (3). ↓ Disc Track No. 1 is displayed.																																				
2	CHECK or Number "0" key	(1) Focusing servo .....ON (2) Tracking servo .....OFF (3) Feed servo .....OFF	TRACK NO. 03																																				
3	CLEAR	(1) Focusing servo .....ON (2) Tracking servo .....ON (3) Feed servo .....OFF	TRACK NO. 04																																				
4	STOP	(1) Focusing servo .....OFF (2) Tracking servo .....OFF (3) Feed servo .....OFF	TRACK NO. 01																																				
5	▶▶	In the STOP mode, moves the pickup slightly toward the outer position of disc. When feed servo is ON, sets the track gain to "H".	—																																				
6	◀◀	In the STOP mode, moves the pickup slightly toward the inner position of disc. When feed servo is ON, sets the track gain to "L".	—																																				
7	UP ▶▶	Turns all FL display lamps ON.	TRACK NO. 88																																				
8	DOWN ◀◀	Turns all FL display lamps OFF. "TRACK NO." is lighted.	TRACK NO. 88																																				
9	+10	Playback Track No. 1 under High-speed mode (If not open tray, SPACE key function is available.)	—																																				
10	SPACE	Set playback mode to High-speed or Normal.	—																																				
11	P.MODE	Track No. 7,8 and 6 (High-speed) are programmed and playback from Track No. 7. The test mode is canceled.	—																																				
12	OPEN/CLOSE	When the tray is opened then closed. Track No. 7,8 and 6 are programmed and set is in STOP mode. The test mode is canceled.	TRACK NO. 01																																				
13	Numeric key (1~9)	Jumps tracks as shown below. <table border="1" style="margin-left: auto; margin-right: auto;"> <tr> <td>Key</td> <td>1</td> <td>2</td> <td>3</td> <td>4</td> <td>5</td> </tr> <tr> <td>Number of tracks</td> <td>1</td> <td>4</td> <td>128</td> <td>512</td> <td>1000</td> </tr> <tr> <td>Direction</td> <td colspan="5" style="text-align: center;">Outer</td> </tr> <tr> <td>Key</td> <td>6</td> <td>7</td> <td>8</td> <td>9</td> <td style="text-align: center;">↘</td> </tr> <tr> <td>Number of tracks</td> <td>1</td> <td>4</td> <td>128</td> <td>512</td> <td></td> </tr> <tr> <td>Direction</td> <td colspan="5" style="text-align: center;">Inner</td> </tr> </table>	Key	1	2	3	4	5	Number of tracks	1	4	128	512	1000	Direction	Outer					Key	6	7	8	9	↘	Number of tracks	1	4	128	512		Direction	Inner					—
Key	1	2	3	4	5																																		
Number of tracks	1	4	128	512	1000																																		
Direction	Outer																																						
Key	6	7	8	9	↘																																		
Number of tracks	1	4	128	512																																			
Direction	Inner																																						
14	REPEAT	(1) Tray .....Opened (2) Laser .....ON  The REPEAT function is canceled when the tray is closed by pressing the tray. "REPEAT" figures is lighted.	TRACK NO. 02																																				

REPEAT mode : Press "REPEAT" key → Press "OPEN/CLOSE" key → Press "REPEAT" key...



# ADJUSTMENT

## CD section

Since this CD system incorporates the following automatic adjustment function, when the pickup is replaced, it is not necessary to readjust it.

Since this CD unit does not need adjustment, the combination of PWB and laser pickup unit is not restricted.

### •Automatic adjustment item

1. Focus offset (Fig.1)
2. Tracking offset (Fig.2)
3. E/F balance (Tracking error balance) (Fig.3)
4. RF level AGC function (HF level : constant)
5. RF level automatic follow-up of the tracking gain

This automatic adjustment is performed each time a disc is changed. Therefore, each disc is played back using the optimal settings.



Fig.1

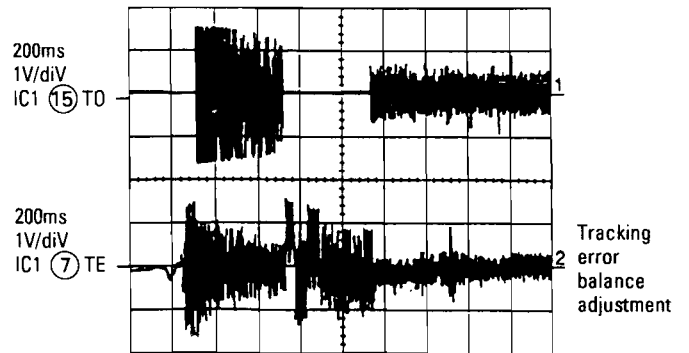


Fig.3

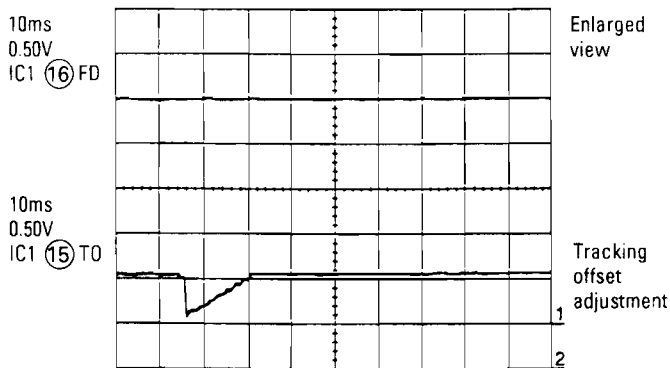


Fig.2

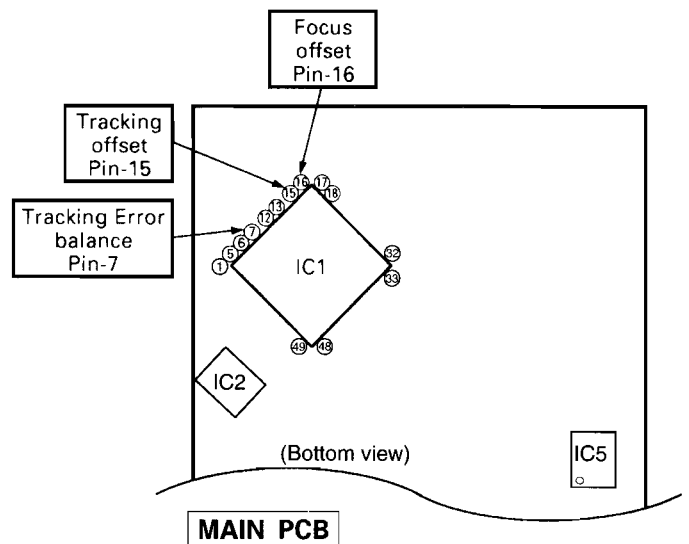
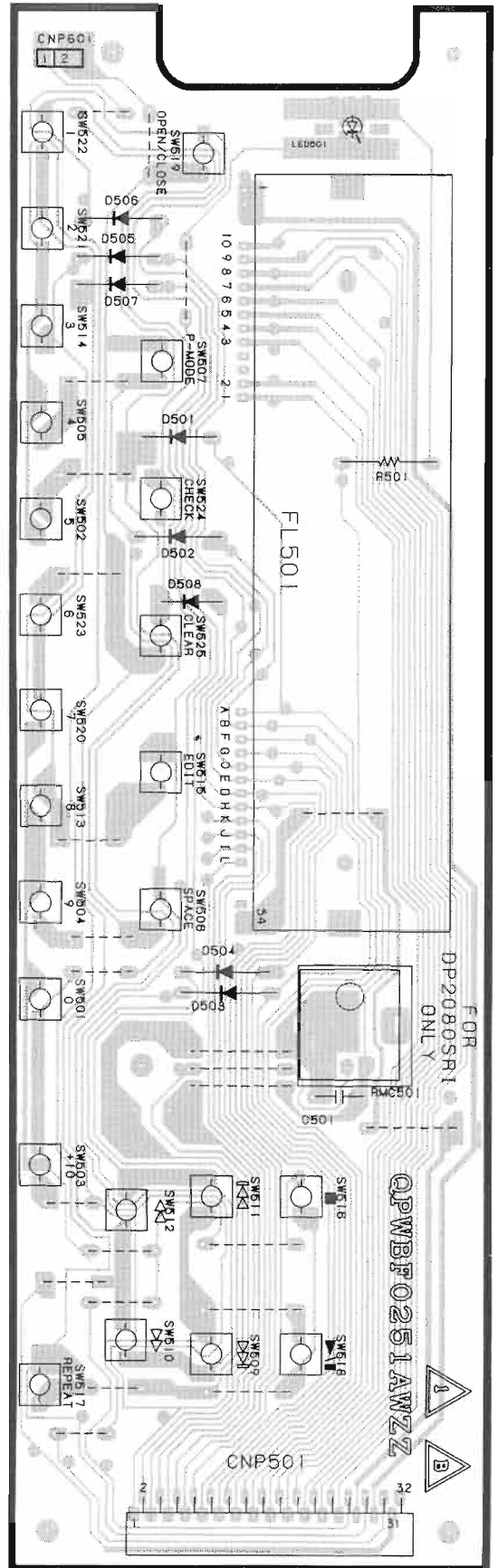
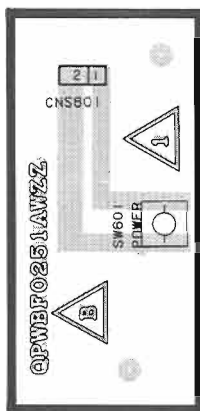
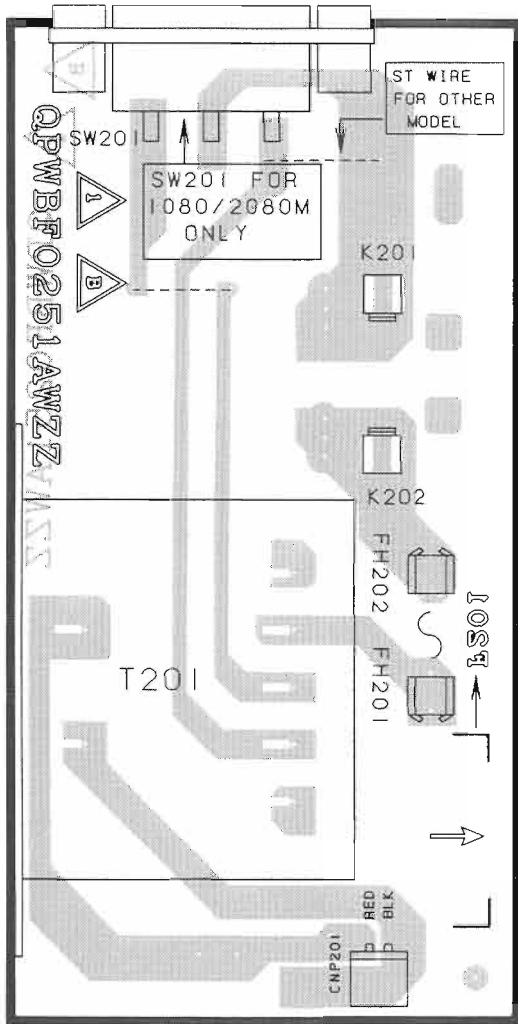


Fig.4 Checking points

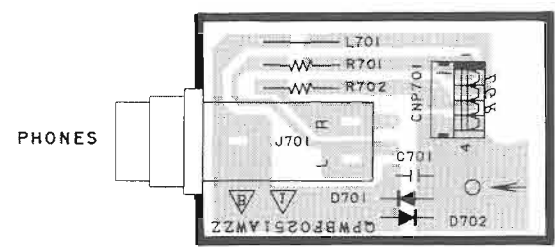
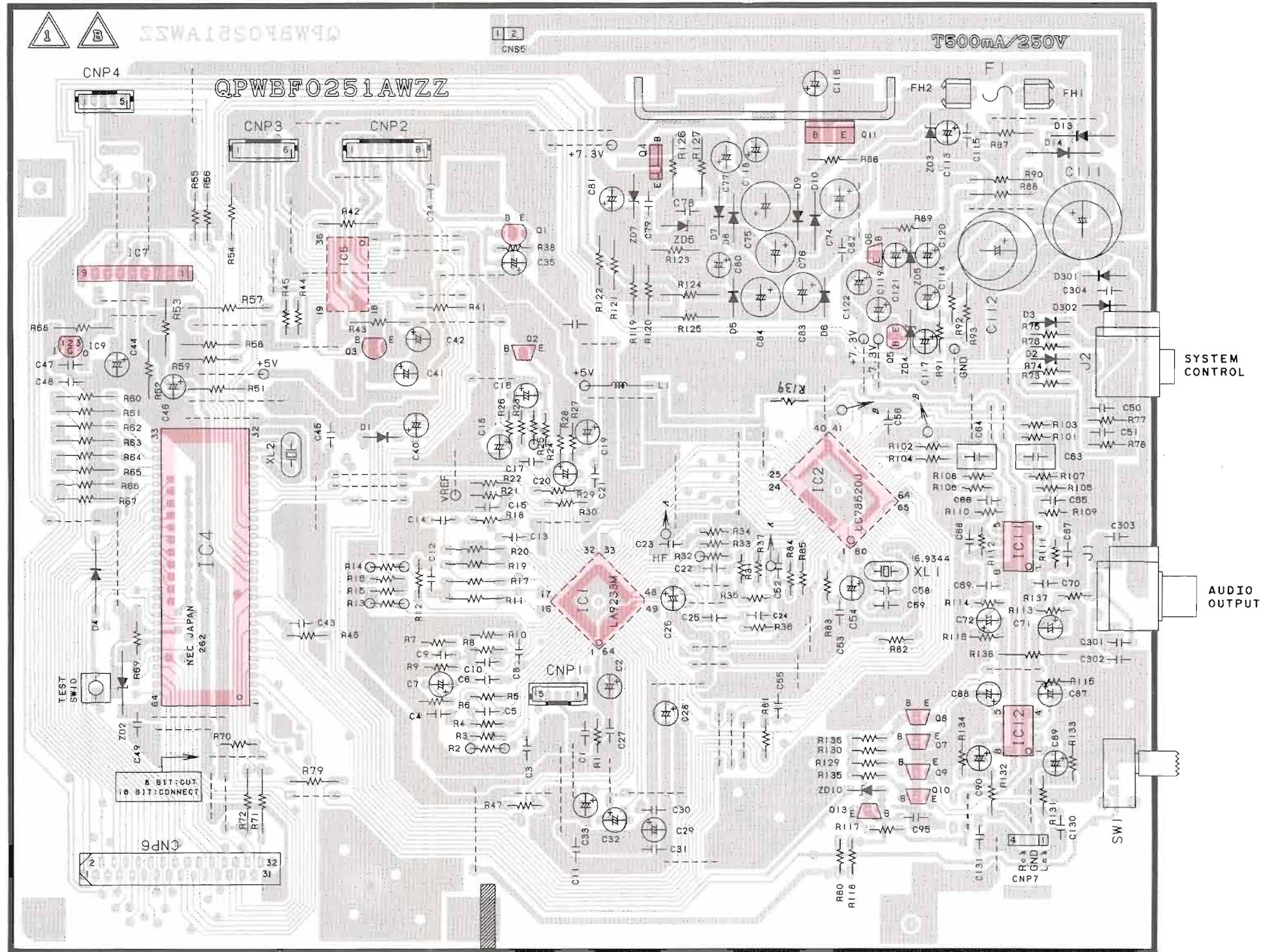
# PC BOARD(COMPONENT SIDE VIEW)



Refer to the schematic diagram for the value of resistors and capacitors.



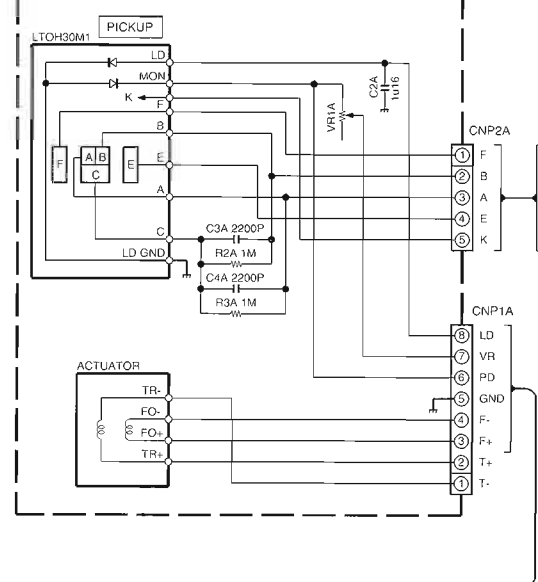
PC BOARD(COMPONENT SIDE VIEW)



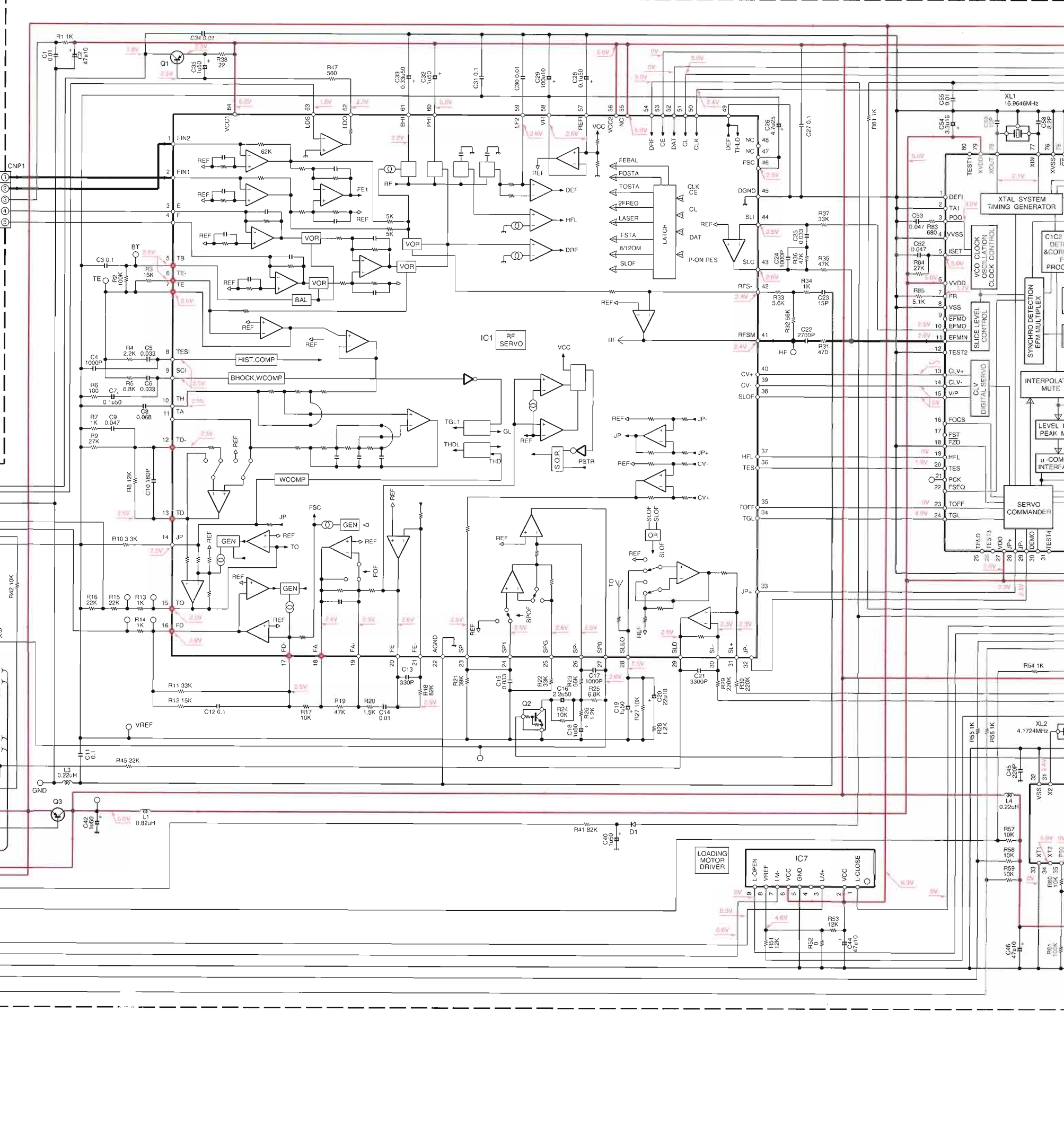
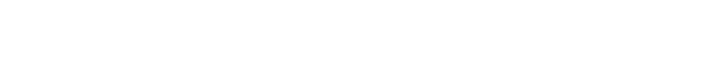
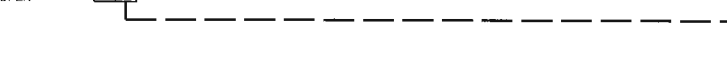
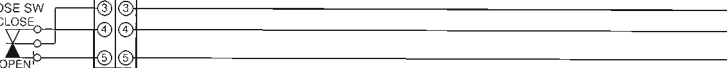
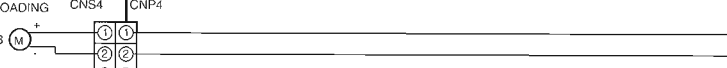
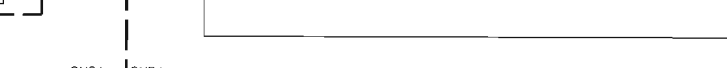
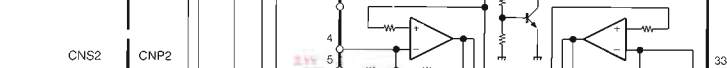
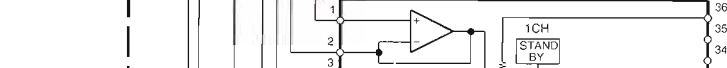
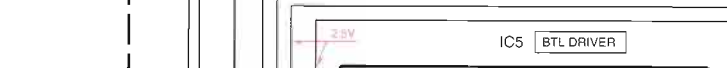
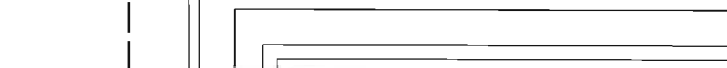
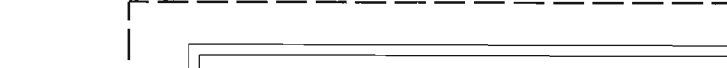


CD SERVO UNIT

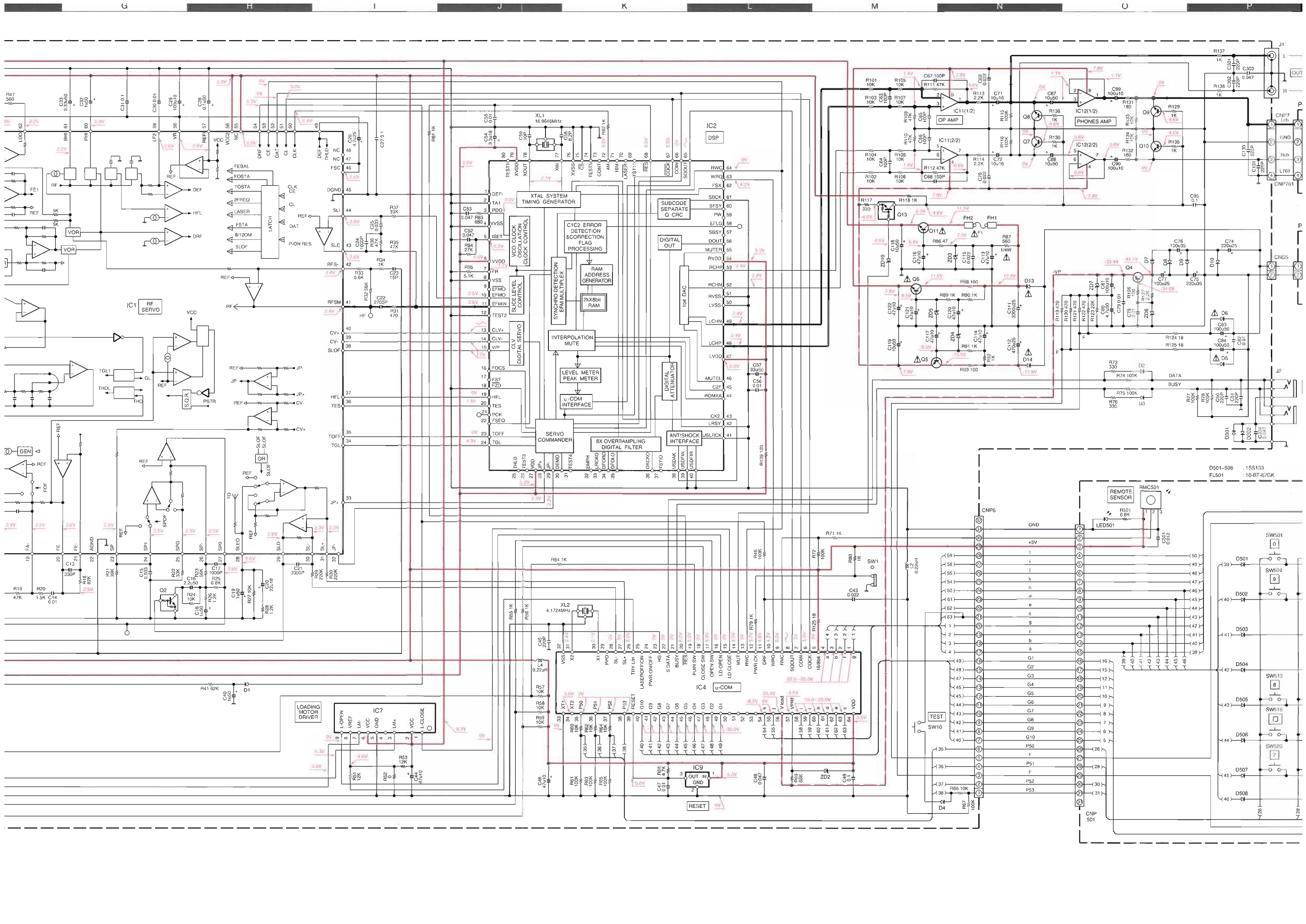
CD PICKUP UNIT



- IC1 : LA9233M
  - IC2 : LC78620J
  - IC4 : IX0125AWZZ
  - IC5 : M56748FP
  - IC7 : TA7291S
  - IC9 : KIA7036
  - IC11,12 : NJM4565D
- Q1.5 : 2SA1266(GR)
  - Q2,13 : KAC107M
  - Q3 : KTA127(Y)
  - Q4 : 2SB1237R3
  - Q6-10 : KTC3199(GR)
  - Q11 : 2SD2012
- ZD2,4,5 : MTZJ9.1A
  - ZD3 : MTZJ7R5BT
  - ZD6 : MTZJ308T
  - ZD7 : MTZJ6R8B
  - ZD10 : MTZJ8R2AT
- D1-9,301,302, 701,702 : 1S5133
  - D10,13,14 : RL104T

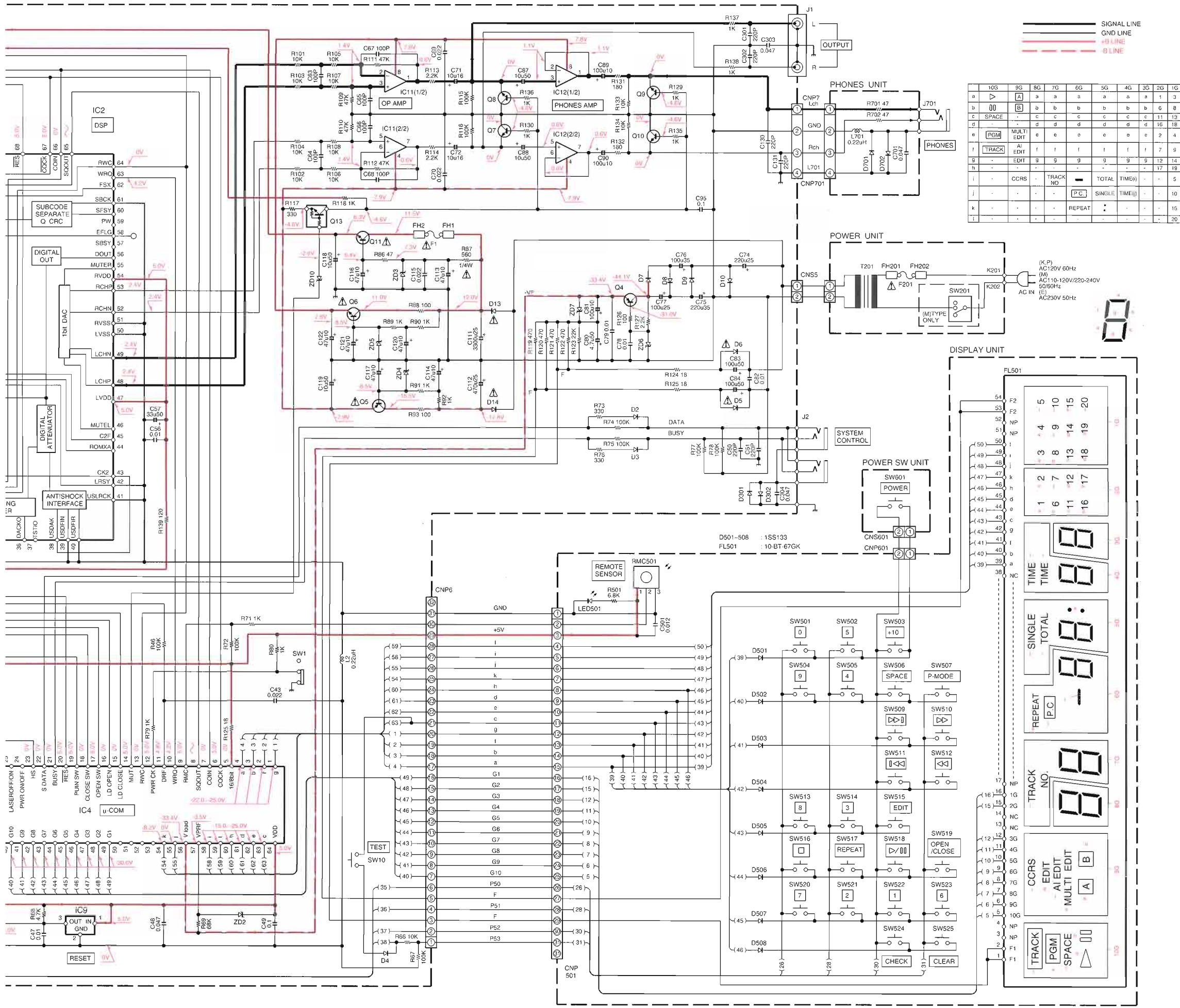


2  
3  
4  
5  
6  
7



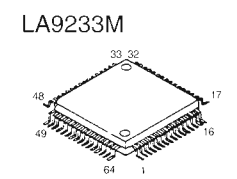
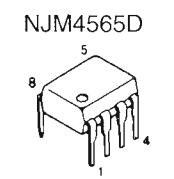
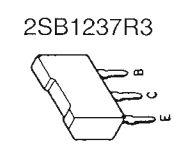
D501-506 : 1S5133  
FL501 : 10-RT-67/GK





**CAUTION:** For continued safety, replace safety critical components only with manufacturer's recommended parts (refer to parts list).  $\Delta$  indicates safety critical components. For continued protection against risk of fire, replace only with same type and rating fuse(s). To reduce the risk of electric shock, leakage-current or resistance measurements shall be carried out (exposed parts are acceptably insulated from the supply circuit) before the appliance is returned to the customer.

The DC voltage is an actual reading measured with a high impedance type voltmeter. The measurement value may vary depending on the measuring instruments used or on the product. Refer to the voltage during PLAY unless otherwise specified; The value shown in ( ) is the voltage measured at the moment of STOP.



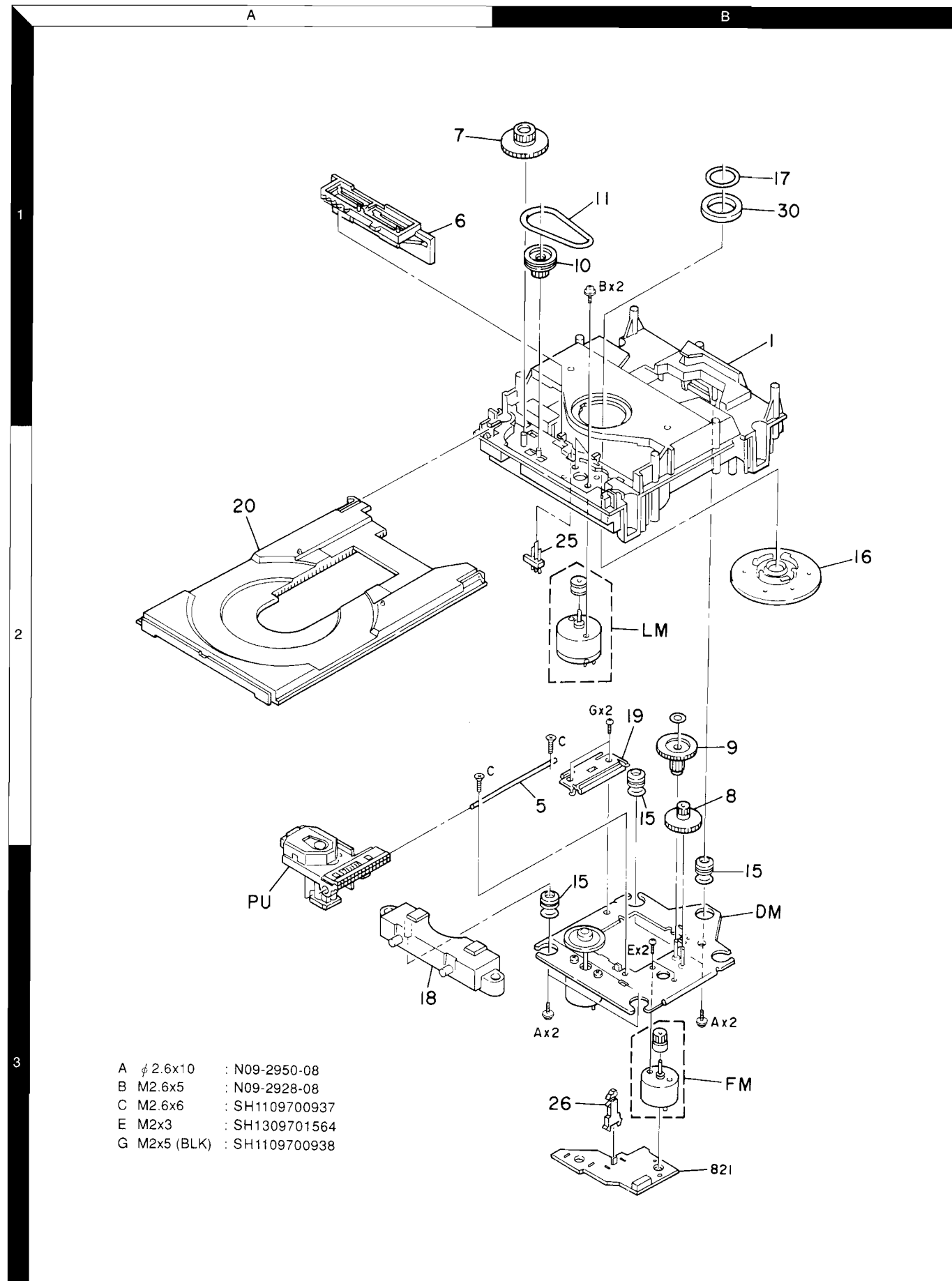
Y22-4512-70

**DP-1080/2080**  
**KENWOOD**

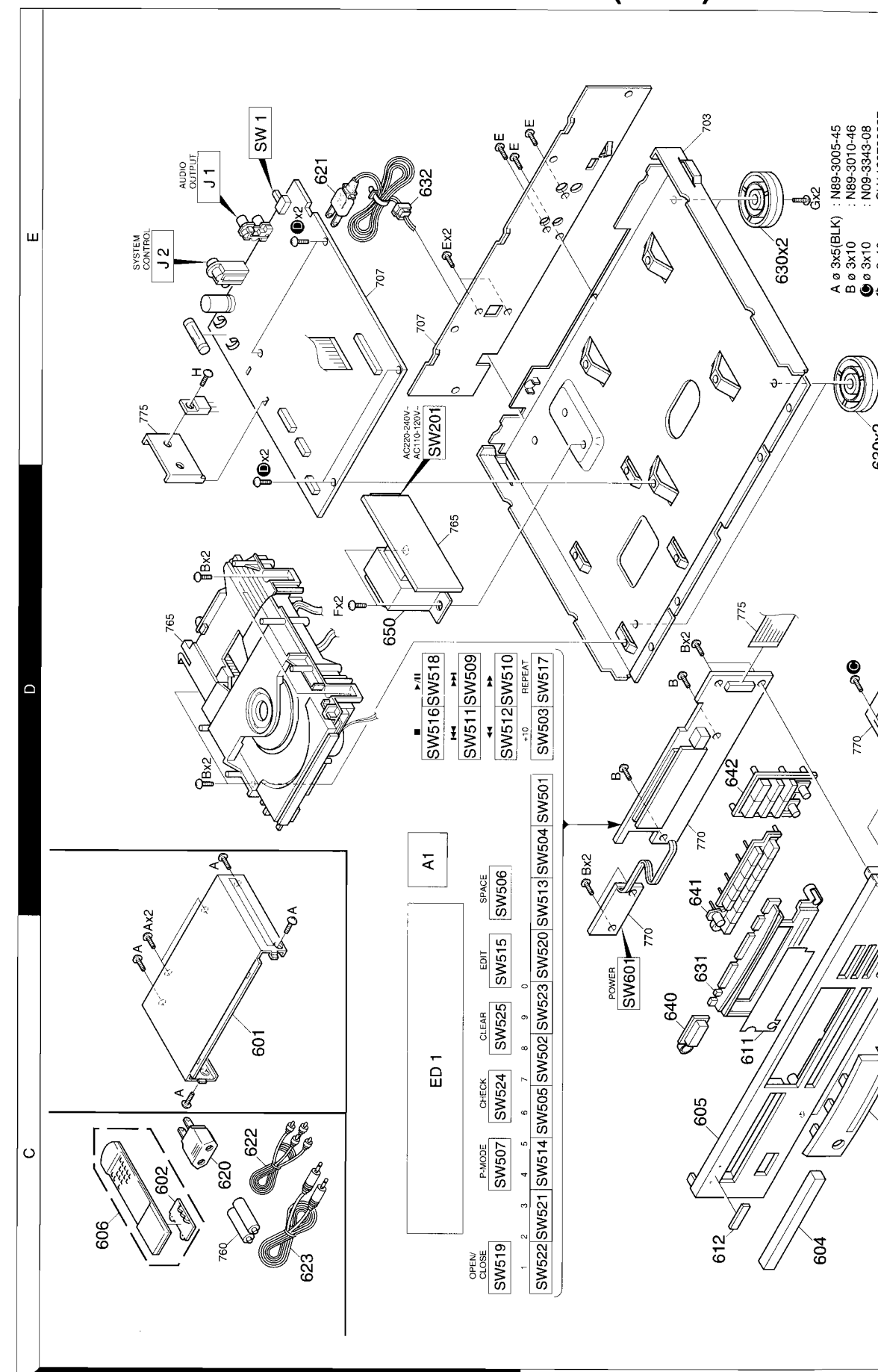
DP-1080/2080(M)

**EXPLODED VIEW (MECHANISM)**

**EXPLODED VIEW (UNIT)**

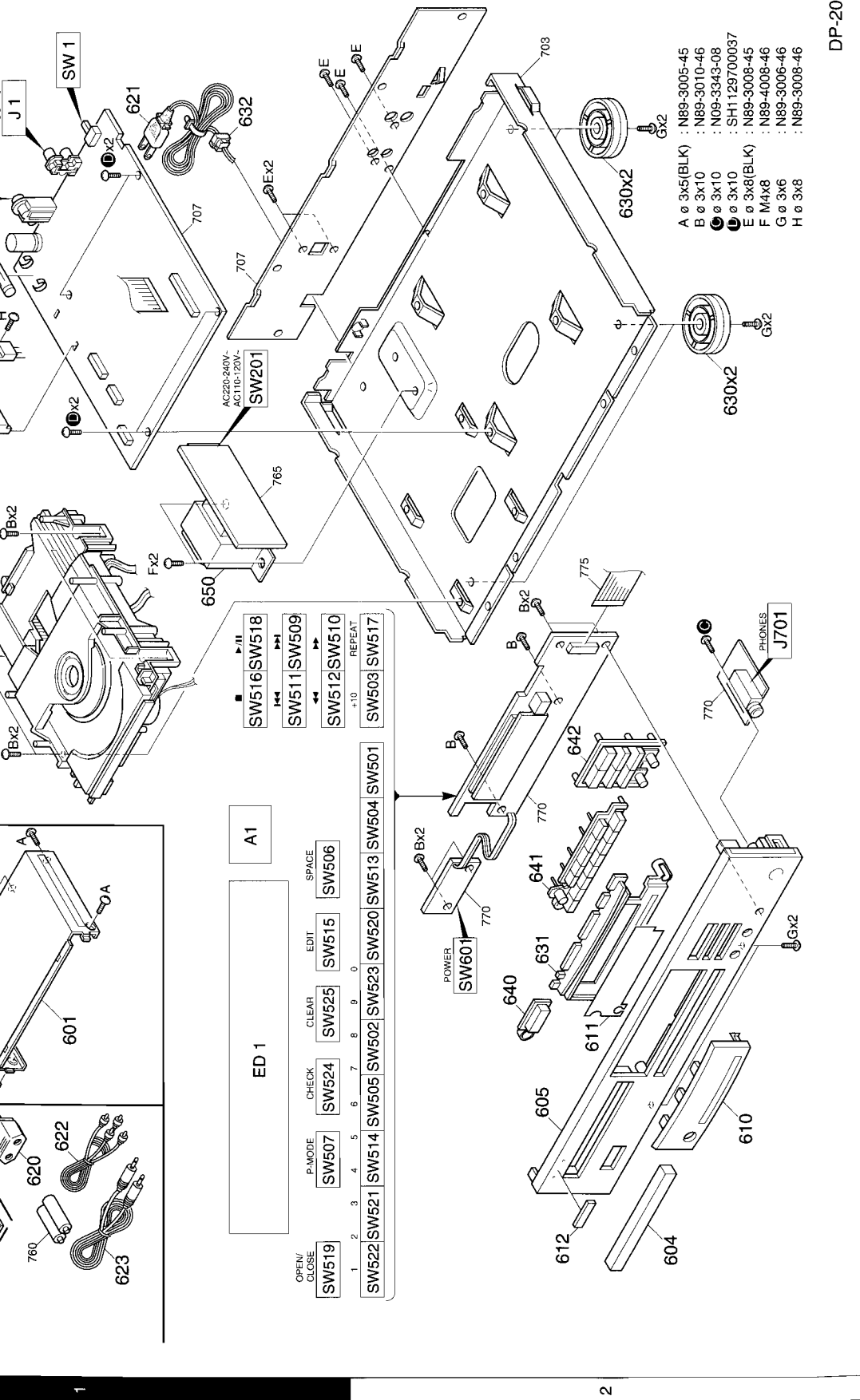


Parts with the exploded numbers larger than 700 are not supplied.



Parts with the exploded numbers larger than 700 are not supplied.

EXPLODED VIEW (UNIT)



\* New Parts  
 Parts without Parts No. are not supplied.  
 Les articles non mentionnés dans le Parts No. ne sont pas fournis.  
 Teile ohne Parts No. werden nicht geliefert.

Ref. No	Addr-ress	New Parts	Parts No.	Description	Desti-nation	Re-marks
<b>DP-1080/2080</b>						
601	1C	*	A01-3379-08	METALLIC CABINET		
602	1C	*	A09-0377-08	BATTERY COVER (FOR RC-P0202)		
604	2C	*	A22-1749-08	PANEL (CD TRAY)		
605	2C	*	A60-1027-08	PANEL (FOR DP-2080)		
605	2C	*	A60-1028-08	PANEL (FOR DP-1080)		
606	1C	*	A70-1108-08	REMOTE CONT.(RC-P0202 FOR 2080)		
610	2C	*	B10-2290-08	FRONT GLASS		
611	2C	*	B11-0340-08	COLOR FILTER		
612	2C	*	B43-0302-04	KENWOOD BADGE		
		*	B60-2687-08	INSTRUCTION MANUAL(ENGLISH)		
		*	B60-2688-08	INSTRUCTION MANUAL(G.D.I.S.F)		
		*	B60-2689-08	INSTRUCTION MANUAL(ENG.CHINA)		
		*	B60-2690-08	INSTRUCTION MANUAL(EN.CH.SY)		
		*	B60-2691-08	INSTRUCTION MANUAL(TAIWANESE)		
		*	B60-2692-08	INSTRUCTION MANUAL(PO)		
620	1C	*	E03-0115-05	AC PLUG ADAPTOR		
621	1E	*	E30-0459-08	AC POWER CORD		
622	1C	*	E30-2753-08	AC POWER CORD		
623	1C	*	E30-0505-05	AUDIO CORD		
		*	E30-2733-05	SYSTEM CONTROL CODE		
		*	H25-1582-08	PROTECTION BAG (SET)		
		*	H25-1594-08	PROTECTION BAG (SET)		
		*	H50-1902-08	ITEM CARTON CASE		
		*	H50-1903-08	ITEM CARTON CASE		
		*	H50-1904-08	ITEM CARTON CASE		
630	2E	*	J02-1171-08	FOOT		
631	2C	*	J19-5754-08	HOLDER		
632	1E	*	J42-0083-05	AC CORD BUSHING (FL)		
640	2C	*	K29-6512-08	KNOB (POWER)		
641	2C,2D	*	K29-6513-08	KNOB (10KEY)		
642	2D	*	K29-6514-08	KNOB (CD FUNCTION)		
650	1D	*	L07-2252-08	POWER TRANSFORMER		
650	1D	*	L07-2253-08	POWER TRANSFORMER		
650	1D	*	L07-2254-08	POWER TRANSFORMER		
C		*	N09-3343-08	SCREW (M3X10 SPECIAL)		
D		*	SH1129700037	SCREW (M3X10 SPECIAL)		

ELECTRIC PARTS

Ref. No	Addr-ress	New Parts	Parts No.	Description	Desti-nation	Re-marks
C1		*	CK45FB1C103K	CERAMIC		
C2		*	CE04KW1A470M	ELECTRO		
C3		*	CK45FB1C104K	CERAMIC		
C4		*	CK45FB1E102K	CERAMIC		
C5		*	CK45FB1E333K	CERAMIC		
C7		*	CE04KW1H0R1M	ELECTRO		
C8		*	CK45FB1C663K	CERAMIC		
C9		*	CK45FB1E473K	CERAMIC		
C10		*	CC45FSL1H181J	CERAMIC		
C11,12		*	CK45FB1C104K	CERAMIC		
C13		*	CC45FSL1H331J	CERAMIC		

L: Scandinavia  
 Y: PX(Far East, Hawaii)  
 K: USA  
 T: Europe  
 X: Australia  
 P: Canada  
 E: Europe  
 M: Other Areas  
 R: Mexico  
 G: Germany

Δ indicates safety critical components.

\* New Parts  
 Parts without Parts No. are not supplied.  
 Les articles non mentionnés dans le Parts No. ne sont pas fournis.  
 Teile ohne Parts No. werden nicht geliefert.

Ref. No	Addr-ress	New Parts	Parts No.	Description	Desti-nation	Re-marks
C112		*	CE04KW1E471M	ELECTRO		
C113,114		*	CE04KW1A470M	ELECTRO		
C115		*	CK45FB1E223K	CERAMIC		
C116,117		*	CE04KW1A470M	ELECTRO		
C118,119		*	CE04KW1H100M	ELECTRO		
C120-122		*	CE04KW1A470M	ELECTRO		
C130,131		*	CK45FB1H221K	CERAMIC		
C301,302		*	CC45FSL1H221K	CERAMIC		
C303,304		*	CK45FB1E473K	CERAMIC		
C501		*	CK45FB1H123K	CERAMIC		
C701		*	CK45FB1E473K	CERAMIC		
675		*	E35-1672-08	FLAT CABLE CONNECTOR (CNF6-501)		
CNP1		*	E40-9866-08	PIN ASSY (5P)		
CNP2		*	E40-9995-08	PIN ASSY (5P)		

\* New Parts  
 Parts without Parts No. are not supplied.  
 Les articles non mentionnés dans le Parts No. ne sont pas fournis.  
 Teile ohne Parts No. werden nicht geliefert.

Ref. No	Addr-ress	New Parts	Parts No.	Description	Desti-nation	Re-marks
IC2		*	LC78620J	IC		
IC4		*	IX0125	IC		
IC5		*	M56748FP	IC		
IC7		*	TA7291S	IC		
IC9		*	KIA7036	IC		
IC11,12		*	NUM4565D	IC(OP AMP X2)		
LED501		*	3N4FDN32	LED		
Q1		*	KTAT266GR	TRANSISTOR		
Q3		*	KTAT271Y	TRANSISTOR		
Q4		*	2SB1237R3	TRANSISTOR		
Q5		*	KTAT266GR	TRANSISTOR		
Q6-10		*	KTIC3199GR	TRANSISTOR		
G11		*	2SD2012	TRANSISTOR		
G13		*	KRC107M	TRANSISTOR		
ZD2		*	MTZJ9R1A	ZENER DIODE		

\* New Parts  
 Parts without Parts No. are not supplied.  
 Les articles non mentionnés dans le Parts No. ne sont pas fournis.  
 Teile ohne Parts No. werden nicht geliefert.

L: Scandinavia  
 Y: PX(Far East, Hawaii)  
 K: USA  
 T: Europe  
 X: Australia  
 P: Canada  
 E: Europe  
 M: Other Areas  
 R: Mexico  
 G: Germany

Δ indicates safety critical components.

PARTS LIST

Ref. No	Addr-ress	New Parts	Parts No.	Description	Desti-nation	Re-marks
C14		*	CK45FB1H103K	CERAMIC		
C15		*	CK45FB1E333K	CERAMIC		
C16		*	CE04KW1H2R2M	ELECTRO		
C17		*	CK45FB1H102K	CERAMIC		
C18,19		*	CE04KW1H010M	ELECTRO		
C20		*	CE04KW1C220M	ELECTRO		
C21		*	CK45FB1H332M	CERAMIC		
C22		*	CK45FB1H272M	CERAMIC		
C23		*	CK45FSL1H150J	CERAMIC		
C24		*	CK45FB1E102K	CERAMIC		
C25		*	CK45FB1E333K	CERAMIC		
C26		*	CE04KW1E4R7M	ELECTRO		
C27		*	CK45FB1C103K	CERAMIC		
C28		*	CE04KW1H0R1M	ELECTRO		
C29		*	CE04KW1A101M	ELECTRO		
C30		*	CK45FB1H103K	CERAMIC		
C31		*	CK45FB1H104K	CERAMIC		
C32		*	CE04KW1H010M	ELECTRO		
C33		*	CE04KW1HR33M	ELECTRO		
C34		*	CK45FB1H108K	CERAMIC		
C35		*	CE04KW1H010M	ELECTRO		
C40		*	CE04KW1H010M	ELECTRO		
C41		*	CE04KW1A101M	ELECTRO		
C42		*	CE04KW1H010M	ELECTRO		
C43		*	CK45FB1E223K	CERAMIC		
C44		*	CE04KW1A470M	ELECTRO		
C45		*	CC45FSL1H221J	CERAMIC		
C46		*	CE04KW1A470M	ELECTRO		
C47		*	CK45FB1H103K	CERAMIC		
C48		*	CK45FB1E473K	CERAMIC		
C49		*	CK45FB1C104K	CERAMIC		
C50,51		*	CC45FSL1H221J	CERAMIC		
C52,53		*	CK45FB1E473K	CERAMIC		
C54		*	C90-3231-05	ELECTRO		
C55,56		*	CK45FB1H103K	CERAMIC		
C57		*	CE04KW1H221M	ELECTRO		
C58		*	CC45FSL1H100J	CERAMIC		
C59		*	C91-1544-08	MYLAR		
C63,64		*	CK45FB1H101K	CERAMIC		
C65-68		*	CK45FB1E223K	CERAMIC		
C69,70		*	CE04KW1C100M	ELECTRO		
C71,72		*	CE04KW1E221M	ELECTRO		
C74		*	CE04KW1V221M	ELECTRO		
C75		*	CE04KW1V101M	ELECTRO		
C76		*	CE04KW1E101M	ELECTRO		
C77,78,79		*	CK45FB1H103K	CERAMIC		
C80		*	CE04KW1H4R7M	ELECTRO		
C81		*	CE04KW1A101M	ELECTRO		
C82		*	CK45FB1H103K	CERAMIC		
C83,84		*	CE04KW1H101M	ELECTRO		
C87,88		*	CE04KW1H100M	ELECTRO		
C89,90		*	CE04KW1A101M	ELECTRO		
C95		*	CK45FB1H103K	CERAMIC		
C111		*	CE04KW1E332M	ELECTRO		

L: Scandinavia  
 Y: PX(Far East, Hawaii)  
 K: USA  
 T: Europe  
 X: Australia  
 P: Canada  
 E: Europe  
 M: Other Areas  
 R: Mexico  
 G: Germany

Δ indicates safety critical components.





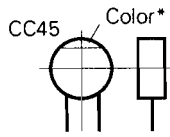
# DP-1080/2080

## PARTS DESCRIPTIONS

### CAPACITORS

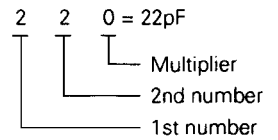
CC 45 TH 1H 220 J  
 1 2 3 4 5 6

- 1 = Type ... ceramic, electrolytic, etc.
- 2 = Shape ... round, square, ect.
- 3 = Temp. coefficient
- 4 = Voltage rating
- 5 = Value
- 6 = Tolerance



#### • Capacitor value

- 010 = 1pF
- 100 = 10pF
- 101 = 100pF
- 102 = 1000pF = 0.001μF
- 103 = 0.01μF



#### • Temperature coefficient

1st Word	C	L	P	R	S	T	U
Color*	Black	Red	Orange	Yellow	Green	Blue	Violet
ppm/°C	0	-80	-150	-220	-330	-470	-750

2nd Word	G	H	J	K	L
ppm/°C	±30	±60	±120	±250	±500

Example : CC45TH = -470 ± 60ppm/°C

#### • Tolerance (More than 10pF)

Code	C	D	G	J	K	M	X	Z	P	No code
(%)	±0.25	±0.5	±2	±5	±10	±20	+40 -20	+80 -20	+100 -0	More than 10μF -10 ~ +50 Less than 4.7μF -10 ~ +75

#### (Less than 10pF)

Code	B	C	D	F	G
(pF)	±0.1	±0.25	±0.5	±1	±2

#### • Voltage rating

2nd word \ 1st word	A	B	C	D	E	F	G	H	J	K	V
0	1.0	1.25	1.6	2.0	2.5	3.15	4.0	5.0	6.3	8.0	-
1	10	12.5	16	20	25	31.5	40	50	63	80	35
2	100	125	160	200	250	315	400	500	630	800	-
3	1000	1250	1600	2000	2500	3150	4000	5000	6300	8000	-

#### • Chip capacitors

(EX) C C 7 3 F S L 1 H 0 0 0 J  
 1 2 3 4 5 6 7

(Chip) (CH, RH, UJ, SL)

(EX) C K 7 3 F F 1 H 0 0 0 Z  
 1 2 3 4 5 6 7

(Chip) (B, F)

Refer to the table above.

- 1 = Type
- 2 = Shape
- 3 = Dimension
- 4 = Temp. coefficient
- 5 = Voltage rating
- 6 = Value
- 7 = Tolerance

#### Dimension (Chip capacitors)

Dimension code	L	W	T
Empty	5.6 ± 0.5	5.0 ± 0.5	Less than 2.0
A	4.5 ± 0.5	3.2 ± 0.4	Less than 2.0
B	4.5 ± 0.5	2.0 ± 0.3	Less than 2.0
C	4.5 ± 0.5	1.25 ± 0.2	Less than 1.25
D	3.2 ± 0.4	2.5 ± 0.3	Less than 1.5
E	3.2 ± 0.2	1.6 ± 0.2	Less than 1.25
F	2.0 ± 0.3	1.25 ± 0.2	Less than 1.25
G	1.6 ± 0.2	0.8 ± 0.2	Less than 1.0

### RESISTORS

#### • Chip resistor (Carbon)

(EX) R K 7 3 E B 2 B 0 0 0 J  
 1 2 3 4 5 6 7

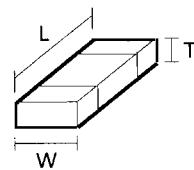
(Chip) (B, F)

#### • Carbon resistor (Normal type)

(EX) R D 1 4 B B 2 C 0 0 0 J  
 1 2 3 4 5 6 7

- 1 = Type
- 2 = Shape
- 3 = Dimension
- 4 = Temp. coefficient
- 5 = Rating wattage
- 6 = Value
- 7 = Tolerance

#### Dimension



#### Dimension (Chip resistor)

Dimension code	L	W	T
E	3.2 ± 0.2	1.6 ± 0.2	1.0
F	2.0 ± 0.3	1.25 ± 0.2	1.0
G	1.6 ± 0.2	0.8 ± 0.2	0.5 ± 0.1

#### Rating wattage

Code	Wattage	Code	Wattage	Code	Wattage
1J	1/16W	2C	1/6W	3A	1W
2A	1/10W	2E	1/4W	3D	2W
2B	1/8W	2H	1/2W		

# DP-1080/2080

## SPECIFICATIONS

### [Format]

System ..... Compact disc digital audio system  
Laser ..... Semiconductor laser  
Number of channels ..... 2 channels  
Playing rotation ..... 200 rpm ~ 500 rpm (CLV)

### [D/A Convertors]

D/A Conversion ..... 1 Bit  
Oversampling ..... 8 fs (352.8 kHz)

### [Audio]

Frequency response ..... 8 Hz ~ 20 kHz  $\pm$ 1.0 dB  
Signal to noise ratio ..... More than 94 dB  
Dynamic range ..... More than 92 dB  
Total harmonic distortion ..... Less than 0.005%

Channel separation ..... More than 83 dB  
Wow & flutter ..... Unmeasurable limit  
Output level/impedance  
Fixed ..... 2.0 V/3.3 k $\Omega$   
Headphone output ..... 6 mW (32 $\Omega$ )

### [General]

Power consumption ..... 14 W  
Dimensions ..... W : 440 mm (17 - 5/16")  
H : 93 mm (3 - 11/16")  
D : 375 mm (14 - 3/4")  
Weight (Net) ..... 4.0 kg (8.8 lb)

### Note :

KENWOOD follows a policy of continuous advancements in development. For this reason specifications may be changed without notice.

### Note:

Component and circuitry are subject to modification to insure best operation under differing local conditions. This manual is based on Europe (E) standard, and provides information on regional circuit modification through use of alternate schematic diagrams, and information on regional component variations through use of parts list.

## KENWOOD CORPORATION

14-6, Dogenzaka 1-chome, Shibuya-ku, Tokyo, 150 Japan

### KENWOOD SERVICE CORPORATION

P.O. BOX 22745, 2201 East Dominguez St., Long Beach, CA 90801-5745, U.S.A.

### KENWOOD ELECTRONICS CANADA INC.

6070 Kestrel Road, Mississauga, Ontario, Canada L5T 1S8

### KENWOOD ELECTRONICS LATIN AMERICA S.A.

P.O. BOX 55-2791, Piso 6 plaza Chase, Cl. 47 y Aquilino de la Guardia Panama, Republic de Panama

### KENWOOD ELECTRONICS U.K. LIMITED

KENWOOD House, Dwight Road, Watford, Herts., WD1 8EB., United Kingdom

### KENWOOD ELECTRONICS BENELUX N.V.

Meachelsesteenweg 418, B-1930 Zaventem, Belgium

### KENWOOD ELECTRONICS DEUTSCHLAND GMBH

Rembrücker Str. 15, 63150 Heusenstamm, Germany

### KENWOOD ELECTRONICS FRANCE S.A.

13 Boulevard Ney, 75018 Paris, France

### KENWOOD ELECTRONICS ITALIA S.p.A.

Via G. Sirtori, 7/9 20129, Milano, Italy

### KENWOOD IBÉRICA S.A.

Bolivia, 239-08020 Barcelona, Spain

### KENWOOD ELECTRONICS AUSTRALIA PTY. LTD. (A.C.N. 001499 074)

P.O. Box 504, 8 Figtree Drive, Australia Centre, Homebush, N.S.W. 2140, Australia

### KENWOOD & LEE ELECTRONICS, LTD.

Unit 3712-3724, Level 37, Tower 1, Metroplaza, 223 Hing Fong Road, Kwai Fong N.T., Hong Kong

### KENWOOD ELECTRONICS SINGAPORE PTE LTD.

No. 1 Genting Lane #02-02, KENWOOD Building, Singapore, 349544

### KENWOOD ELECTRONICS (MALAYSIA) SDN BHD.

#4.01 Level 4, Wisma Academy Lot 4A, Jalan 19/1 46300 Petaling Jaya Selangor Darul Ehsan Malaysia